

FINISH DESCRIPTION: Vacuum lug finish. Diameters 70 Regular

INSERT: NO

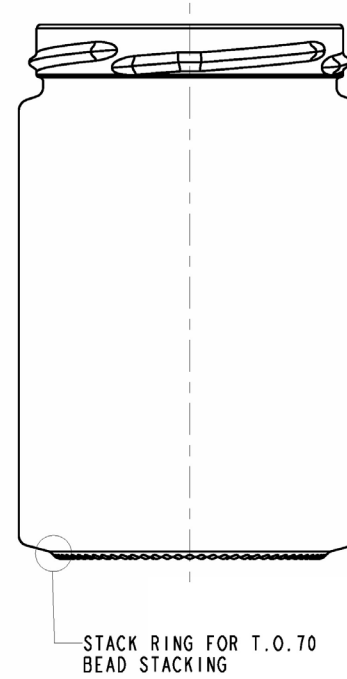
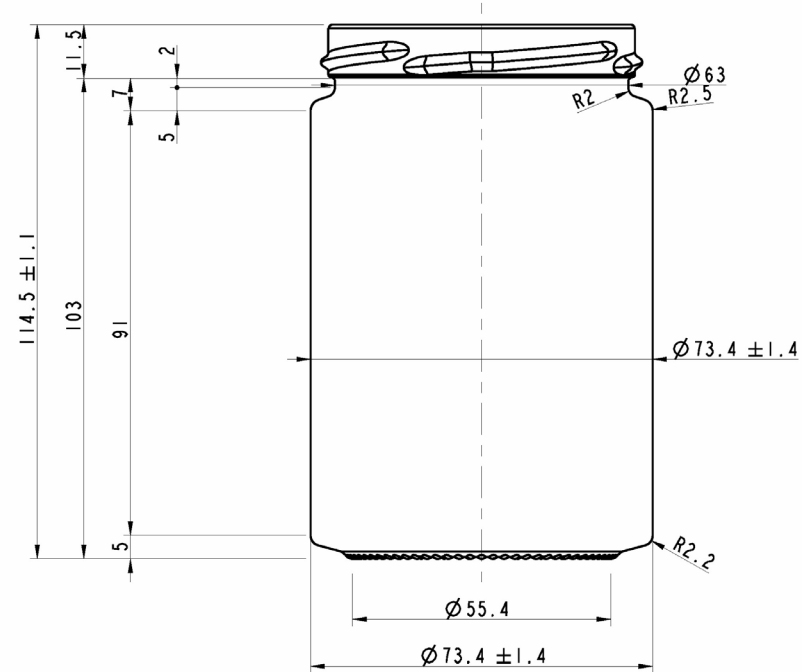
GLASS IS LIFE™

O-I makers of pure, sustainable,
brand-building glass packaging

O-I Manufacturing Italy S.p.A.

Via 1° Maggio, 18
21040 Origgio(VA), Italy
Tel. +39 0243453.1

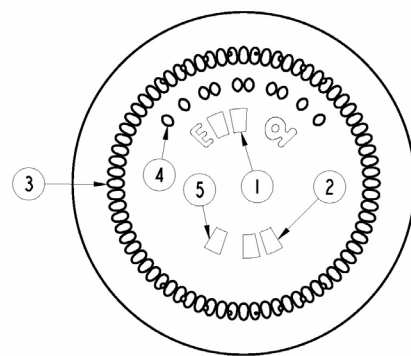
**CONTAINER & MOULD ENGINEERING
EUROPE**



NOTES:
THIS DRAWING IS THE PROPERTY OF O-I AND
MUST NOT BE REPRODUCED OR DISCLOSED
WITHOUT O-I WRITTEN AUTHORIZATION.

DIMENSIONS EXPRESSED IN mm
ONLY TOLERANCED DIMENSIONS ARE GUARANTEED.

MANUFACTURING MARKINGS SHOWN ARE FOR ILLUSTRATIVE
PURPOSES ONLY, ACTUAL MARKINGS ON CONTAINER
MAY DIFFER, DEPENDANT ON LOCAL LEGISLATION.



CATEGORY FOOD		TILT ANGLE 27.13°	
MAX. VERTICALITY TOLERANCE 1.27 mm		MEASURING CONTAINER NO	
FINISH SAP NUMBER 4966		FINISH REF. CETIE GME 20-06 1995	
MINIMUM THROUGH BORE 60.8 mm		MAX FILLING TUBE Ø mm	
CONTAINER OVERFLOW CAPACITY (BRIMFUL) 370ml ± 7.4ml			
CONTAINER RATED CAPACITY (FILLPOINT) -			
CONTAINER WEIGHT 220g APPROX.			
FINISH DESIGNATION EU_70_GME 20-06_H115_4966		MAX GAS VOLUME	
PROCESS	RETURNABLE NO	DESIGN REF.	

- 1 = TRADEMARK
- 2 = CAVITY No.
- 3 = STIPPLING
- THE SHAPE OF STIPPLES IS ONLY AN INDICATION AND THE CONSTRUCTION IS AT THE PRODUCTION PLANT DISCRETION.
- 4 = CAVITY CODE
- 5 = A GLASS IDENTIFICATION

SCALE 1:1

Handwritten signature

Termék szám: **1250**
Job number:

Dátum/Date: 2013-01-07

TENTATIVE

No	DATE	REVISIONS	DESIGN/CHECK

STANDARD 37.0 CL MINIMAL TO 70			
DESIGNER	I.B.	DATE	13/06/12
CHECKED		DATE	
DRAWING NUMBER 120247		MOULD/SAP NUMBER 000000	