

GLASS IS LIFE™

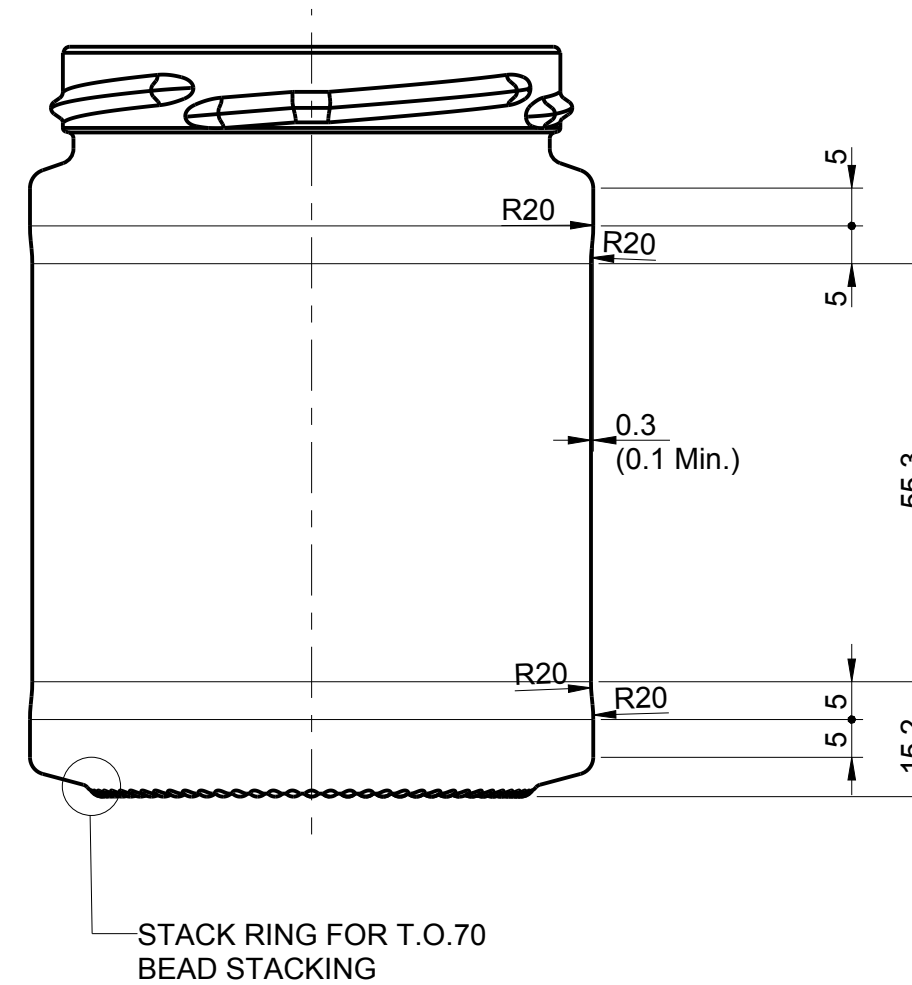
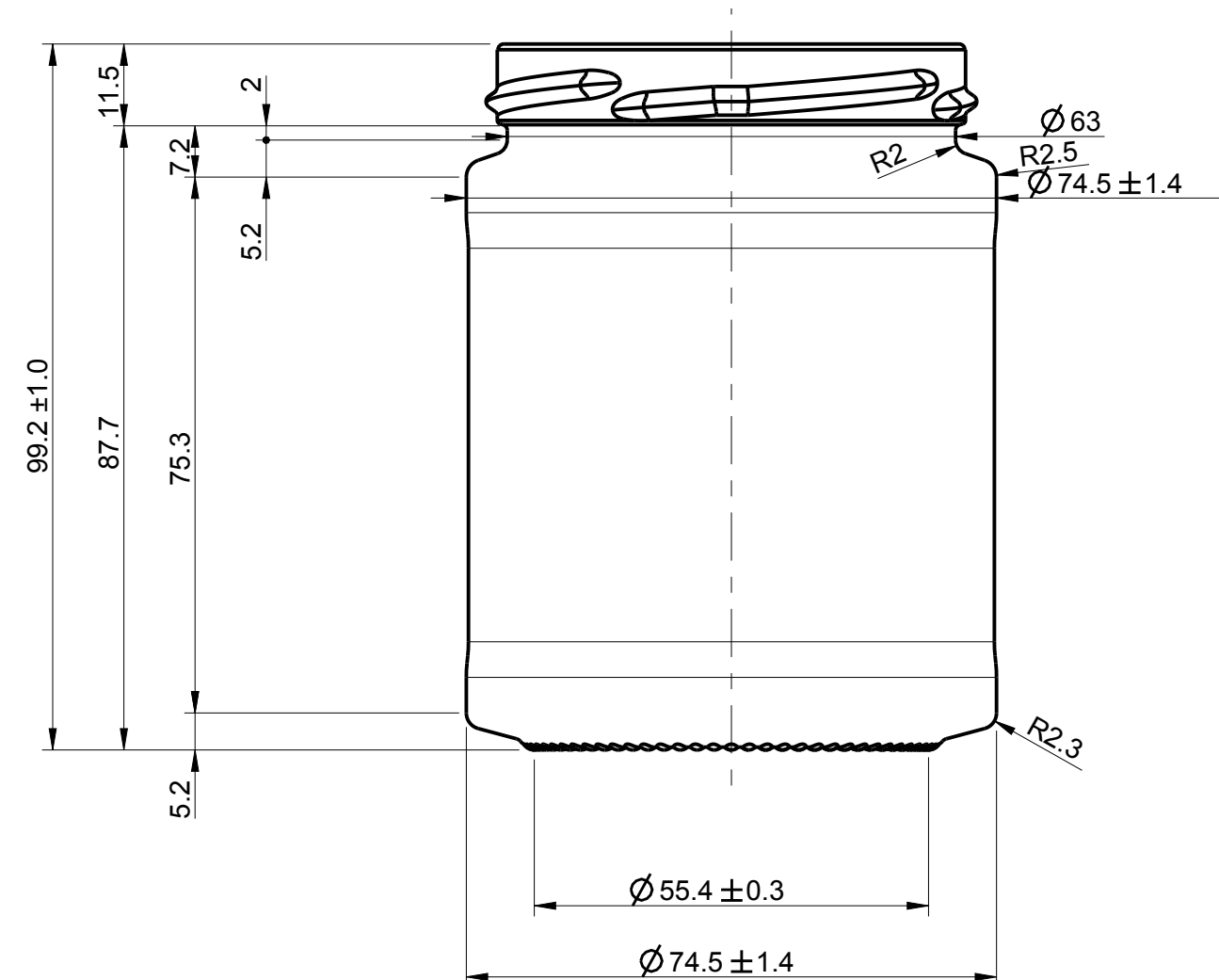
O-I makers of pure, sustainable,
brand-building glass packaging

O-I Sales and Distribution Italy s.r.l.

Via 1° Maggio, 18
21040 Origgio(VA), Italy
Tel. +39 0243453.1

CONTAINER & MOULD ENGINEERING

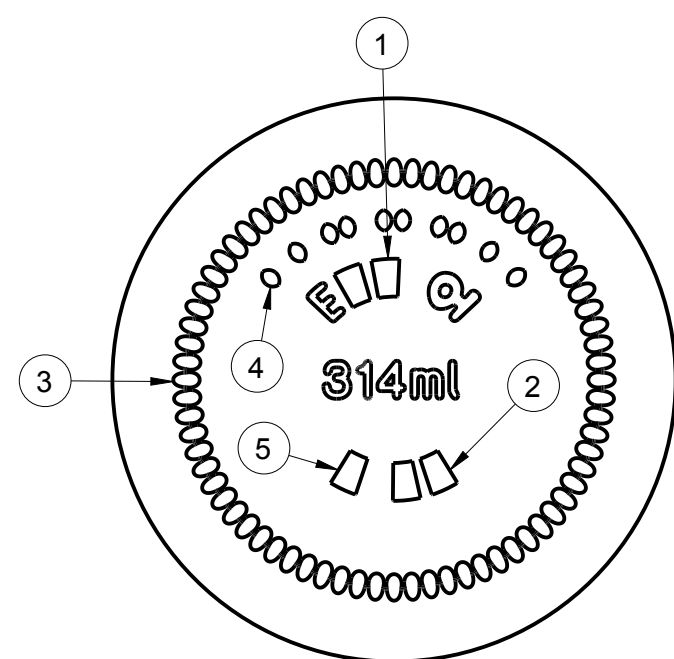
EUROPE



NOTES:
THIS DRAWING IS THE PROPERTY OF O-I AND
MUST NOT BE REPRODUCED OR DISCLOSED
WITHOUT O-I WRITTEN AUTHORIZATION.

DIMENSIONS EXPRESSED IN mm
ONLY TOLERANCED DIMENSIONS ARE GUARANTEED.

MANUFACTURING MARKINGS SHOWN ARE FOR ILLUSTRATIVE
PURPOSES ONLY. ACTUAL MARKINGS ON CONTAINER
MAY DIFFER, DEPENDANT ON LOCAL LEGISLATION.



1 = TRADEMARK
2 = CAVITY No.
3 = STIPPLING
THE SHAPE OF STIPPLES IS ONLY AN
INDICATION AND THE CONSTRUCTION IS AT
THE PRODUCTION PLANT DISCRETION.
4 = CAVITY CODE
5 = A GLASS IDENTIFICATION

SCALE 1:1

CATEGORY FOOD	TILT ANGLE 30.8°
MAX. VERTICALITY TOLERANCE 1.27 mm	MEASURING CONTAINER NO
FINISH SAP NUMBER 4966	FINISH REF. CETIE GME 20-06 1995
MINIMUM THROUGH BORE mm	MAX FILLING TUBE Ø mm
CONTAINER OVERFLOW CAPACITY (BRIMFUL)	
314ml ± 6,3ml	
CONTAINER RATED CAPACITY (FILLPOINT)	
CONTAINER WEIGHT	
215g APPROX.	
FINISH DESIGNATION EU_70_GME 20-06_H115_4966	MAX GAS VOLUME
PROCESS NO	RETURNABLE NO
DESIGN REF.	

STANDARD
31.4 CL MINIMAL TO 70 SE

DESIGNER	MP	DATE	06/04/18
CHECKED		DATE	
DRAWING NUMBER	MOULD/SAP NUMBER		
180277	180277		

No	DATE	REVISIONS	DESIGN/CHECK
	20/06/18	INCREASED BODY DIAMETER	GP
	30/05/18	ADDED SAP/Number	GP