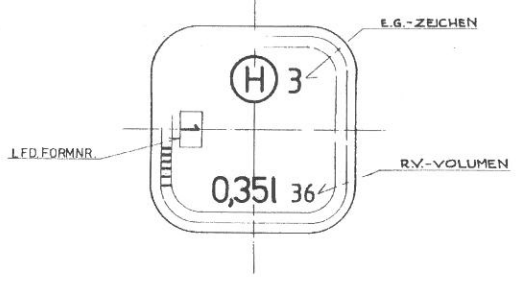


12

102036

33  
51

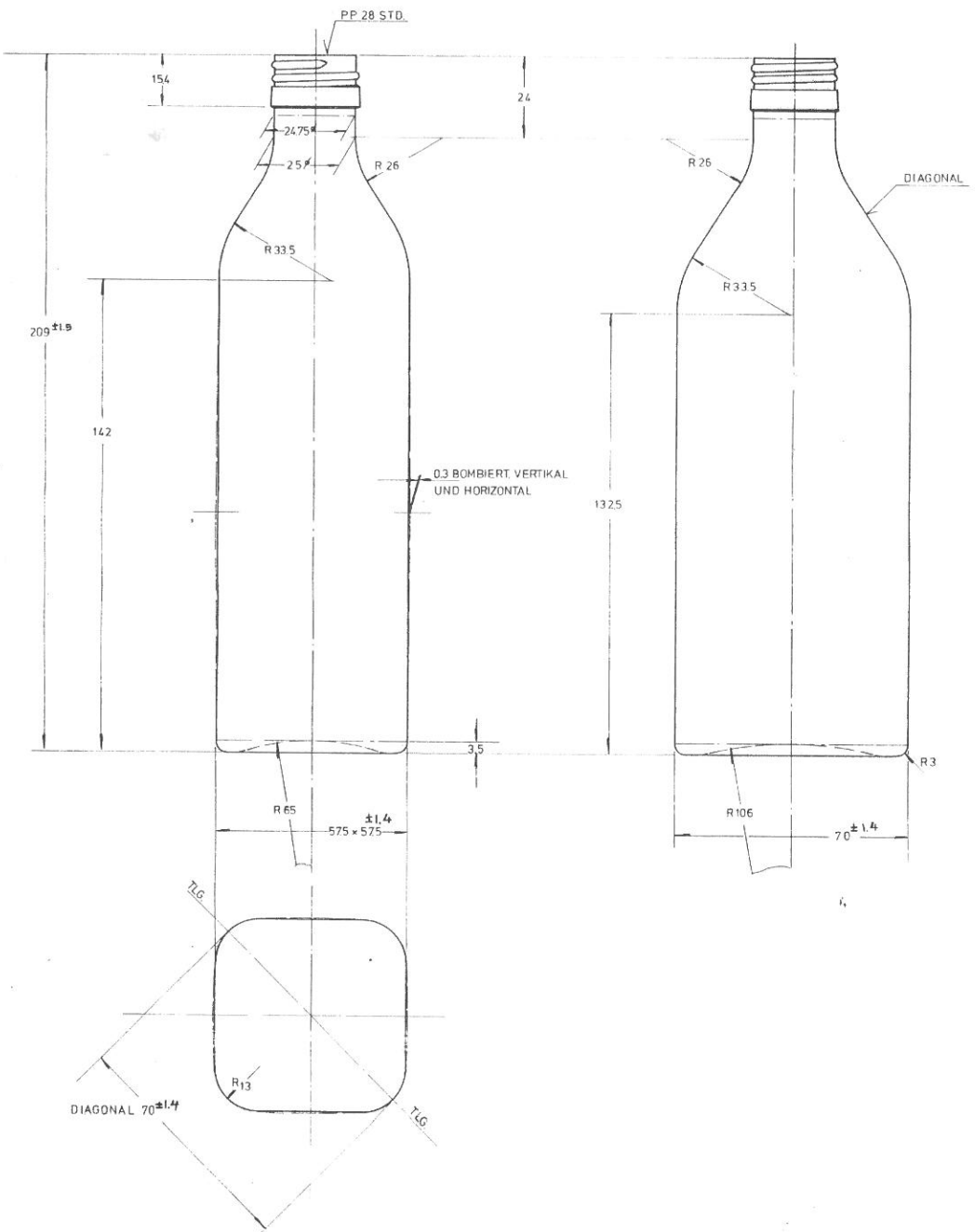


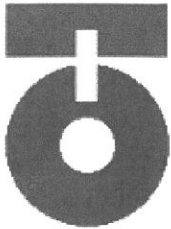
06075-07514

GEZ.	TAG	MASSTAB	FORM NR.
100	3.8.71	1:1	1:5 5075
GEPR.	TAG		

GLASHÜTTENWERKE  
G.m.b.H.  
HOLZMINDEN & Co.

GEW. 400 GR. ZEICHNUNG NR.  
INH. R. V. 360 ccm IS 98 5075-01





O.J. GLASSPACK GmbH & Co. KG  
 Administrative Office  
 40237 Düsseldorf  
 Goethestr. 75  
 Tel.: +49 211 2809 0

# OE35 PACKAGING - INSTRUCTION

\* weight can for production technical reasons about ±5% differ

## 102036 - 35CL VIERKANT 017050 FLINT 08IU (S)

Shape: 017050 Old-Mat-Nb.: DE-406075-104 Drawing: 06075-07514  
 Color: Flint Finish: PP 28 A B292

### CONTAINER DETAILS

Bottle-Dimen. : H209.0 mm - 57.5x57.5 mm - 400.0 g ( 414.7 g )

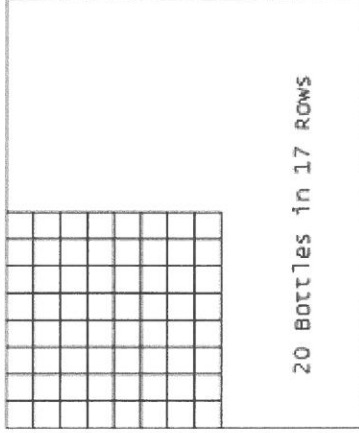
### BASE PACKAGING INSTRUCTIONS

U - 1 Carton Tray upright  
 Cover on LAST Level (Carton layer pad)

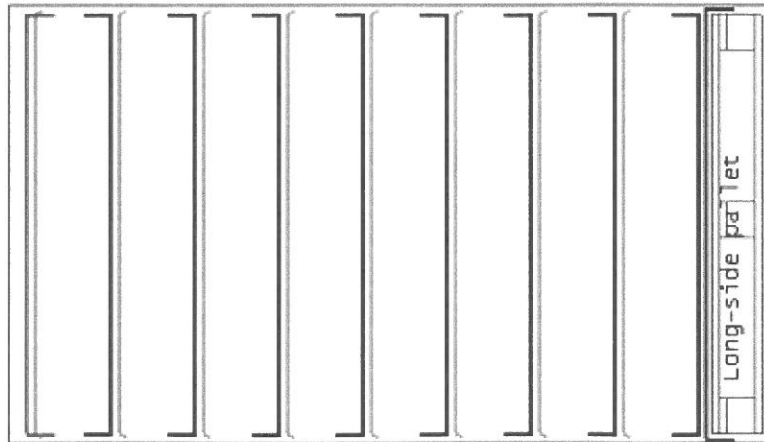
Finish film on EVERY Level  
 02 = Bottom-Foil not fasten >>  
 Shrinks program code > 01 < using

Block size mm : 1150 x 977 Usage pallet : 96,7 %  
 Height pallet mm : 1833 Tiers per pallet : 08  
 weight glass kg \* : 1088 weight pallet kg \* : 1128  
 Container per pallet : 2720 Container per tier : 340

Packaging build > 03.17R\*20F



Stack height : 3V



Item number	Description	BILL OF MATERIAL	QTY	Weight
41011	80018	Palette Holz INDUSTRIE 1200x1000 134	1	25
81850	/ 402467	- CA TRA CO N 1180X1005X100 T140/W110/T140	8	0,681 5.448
81802	/ 402378	- PE FINISH FILM 25 1300X1100 each layer film	8	0,743 5.944
81850	/ 402467	- CA TRA CO N 1180X1005X100 T140/W110/T140 cover last layer	1	0,681 0.681
89147	/	- PE SHRINK ROLL UV12 130 1320X1070	1	0,574 0.574
81713	/ 410711	- PE BOTTOMFILM SUV 90 1400X1200 Foile length = 2.633 m	1	0,015 0.015
				1.511

### PRODUCTION TEXT INFORMATIONEN :

Created : 09.01.2006 Seidel

Changed : 11.01.2012 U. Hengst

Checked : .....

Date : .....

Approved : .....