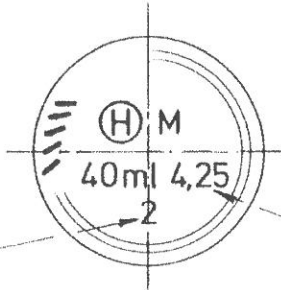
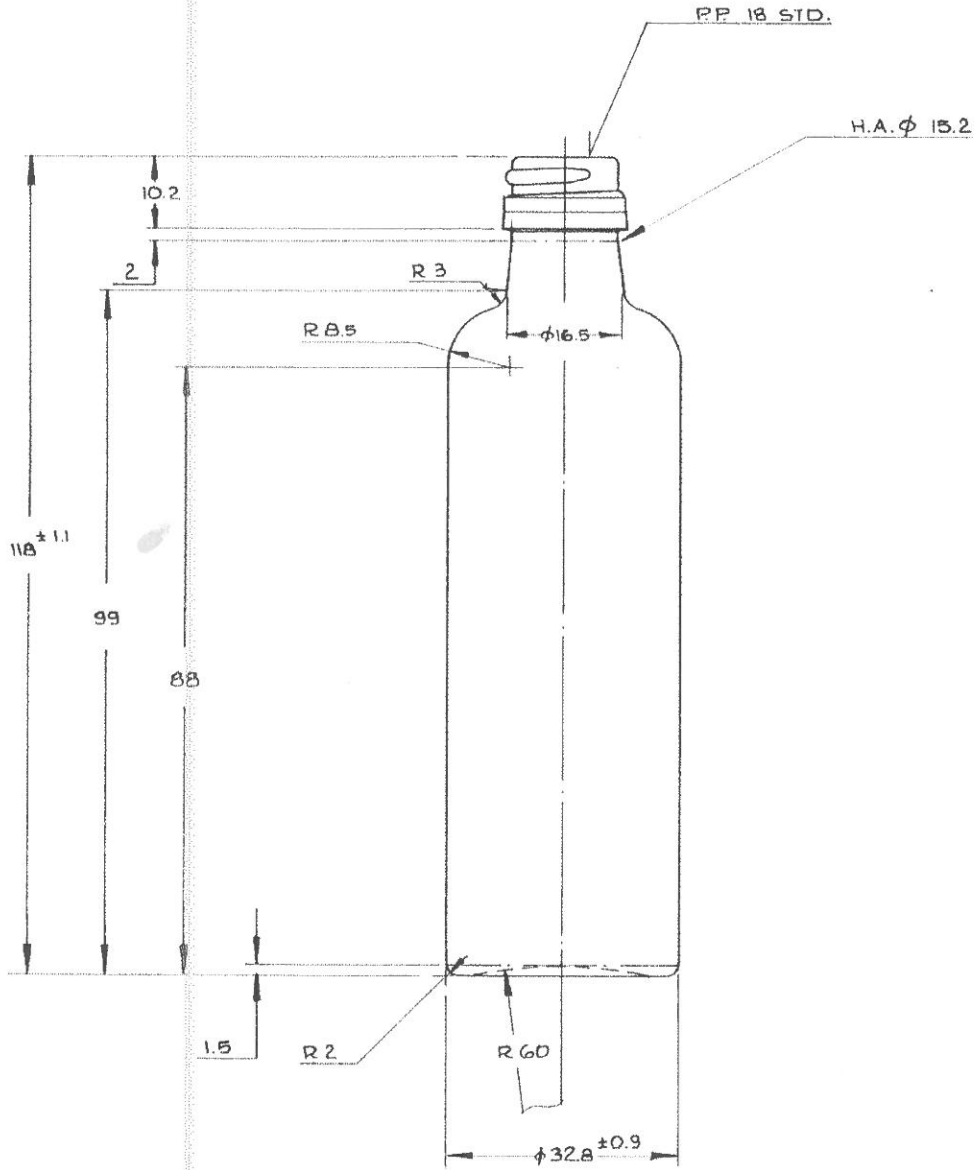


SAP 117154



L.F.D. FORMNR.

R.V.-ANGABE



GEZ.	DATUM	MASSTAB	FORM NR.	ZEICHNG. NR.
<i>Ben</i>	2.4.79	1-1	7070	A-1807-A

BEMERKUNG:

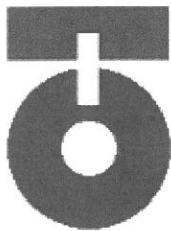
40 mL KRUGFLASCHE

**GLASHÜTTENWERKE**

**HOLZMINDEN** G.m.b.H. & Co.

GEWICHT: CA 100 GR	INHALT R.V.: 42.5 -CCM
GLASTOLERANZ ± 1.5	FORMTOLERANZ ± 0.5

4cc



O-J GLASSPACK GmbH & Co. KG  
 Administrative Office  
 40237 Düsseldorf  
 Goethestr. 75  
 Tel.: +49 211 2809 0

# OE35 PACKAGING - INSTRUCTION

\* weight can for  
 production technical reasons  
 about ±5% differ

## 117154 - 4CL KRUG 017713 FLINT 08IM1 (S)

Shape: 017713 Old-Mat-Nb.: DE-407070-101 Drawing: A-1807A  
 Color: Flint Finish: 18 S B104

### CONTAINER DETAILS

Bottle-Dimen. : H118.0 mm - Ø32.8 mm - 98.0 g ( 102.7 g )

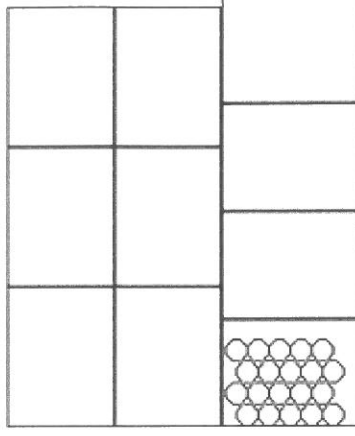
### BASE PACKAGING INSTRUCTIONS

M - 1 Tray's für Miniatur Flaschen  
 Cover on LAST Level (Carton layer pad)

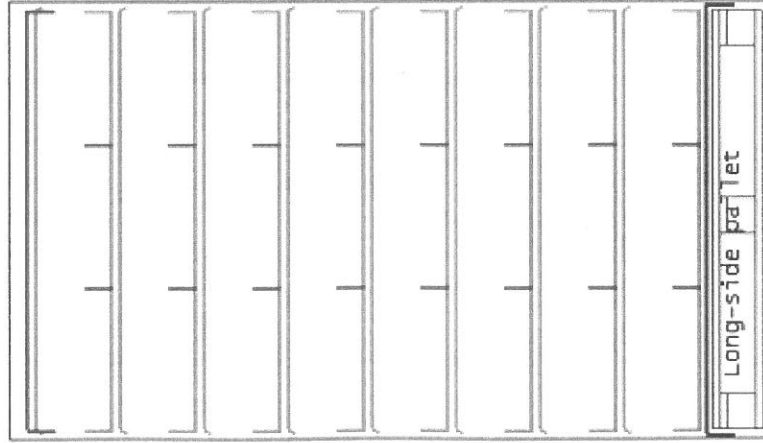
Finish film on EVERY Level  
 02 = Bottom-Foil not fasten >> Ohne Zusatz  
 Shrinks program code > 01 < using

Block size mm : 377.2 x 288.5 Usage pallet : 97.1 %  
 Height pallet mm : 1105 Tiers per pallet : 08  
 weight glass kg \* : 862 weight pallet kg \* : 904  
 Container per pallet : 8800 Container per tier : 1100

Packaging build > 01, TRAY 10xje 10R\*11F



Stack height : 4



Item number	Description	BILL OF MATERIAL	QTY	.....	weight
41011	80018	Palette Holz INDUSTRIE 1200x1000 134	1		25
81713	/ 410711	- PE BOTTOMFILM SUV 90 1400X1200	1	0,015	0.015
82079	/ 402308	- CA TRA CO N 390X295X70 T140/W110/T140	80	0,095	7.600
81802	/ 402378	- PE FINISH FILM 25 1300X1100 each 1ayer film	8	0,743	5.944
81957	/ 402269	- CA TRA CO N 1200X1000X100 T140/W110/T140 layer 4 and 8 cover	2	0,688	1.376
89147	/	- PE SHRINK ROLL UV12 130 1320X1070 Foile length = 1,908 m	1	0,574	0.574

### PRODUCTION TEXT INFORMATIONEN :

Created : 24.10.2005 Seite1  
 Changed : 15.10.2012 U.Hengst  
 Checked : .....  
 Date : .....  
 Approved : .....