

FINISH DESCRIPTION: Vacuum lug finish. Diameters 63 Regular

INSERT: NO

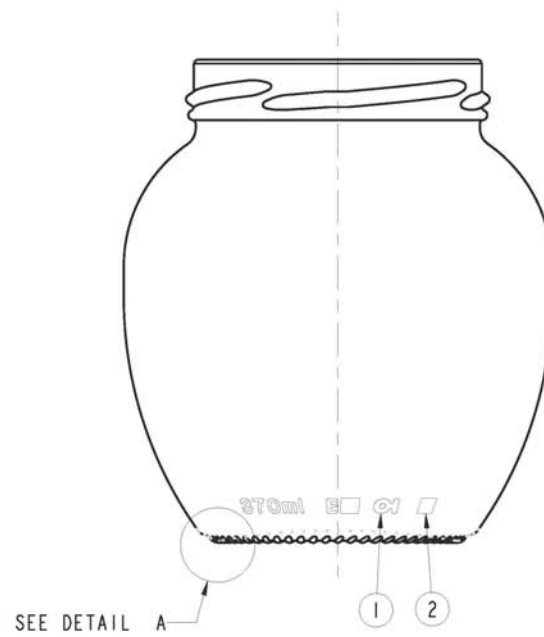
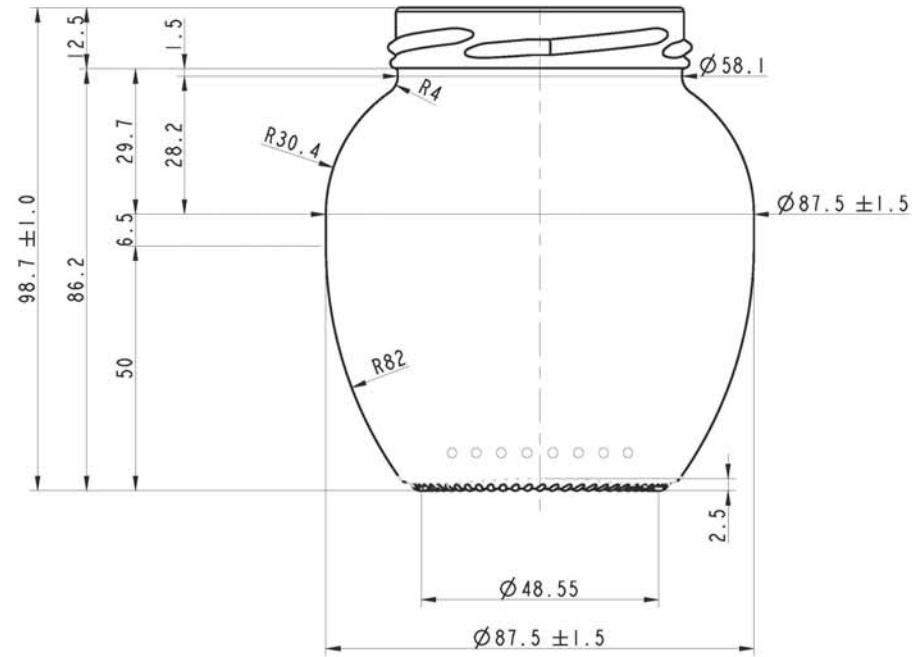
GLASS IS LIFE™

O-I makers of pure, sustainable,
brand-building glass packaging

O-I Manufacturing Poland S.A.

ul. Morawieka 1
37-800 Jaroslaw, Poland
Tel. +48 166249200

**CONTAINER & MOULD ENGINEERING
EUROPE**

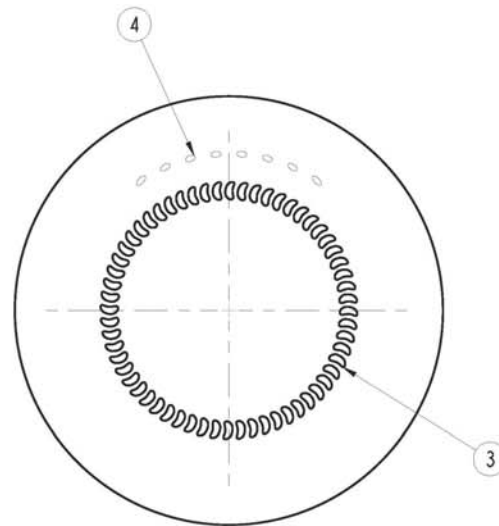
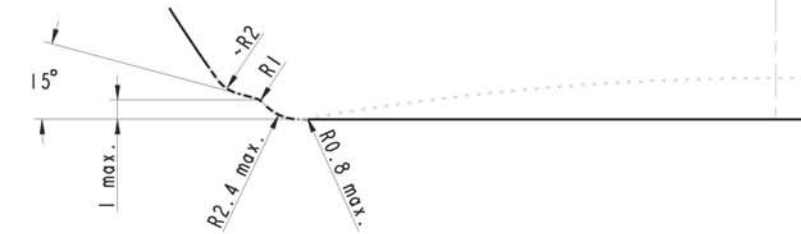


NOTES:
THIS DRAWING IS THE PROPERTY OF O-I AND
MUST NOT BE REPRODUCED OR DISCLOSED
WITHOUT O-I WRITTEN AUTHORIZATION.

DIMENSIONS EXPRESSED IN mm
ONLY TOLERANCED DIMENSIONS ARE GUARANTEED.

MANUFACTURING MARKINGS SHOWN ARE FOR ILLUSTRATIVE
PURPOSES ONLY. ACTUAL MARKINGS ON CONTAINER
MAY DIFFER, DEPENDANT ON LOCAL LEGISLATION.

SCALE 4/1
DETAIL A



Wojciech Tomaszewski

Termék szám: 1262/A
Job number:

Dátum/Date: 2013-09-12

| No | DATE | REVISIONS | DESIGN/CHECK |
|----|----------|-----------------------------|--------------|
| 2 | 06/09/13 | changed weight and shape | BK / SH |
| 1 | 14/06/13 | changed name, weight, shape | BK / SH |
| | 08/04/13 | APPROVED VERSION 01 | |

| | |
|---|-------------------------------------|
| CATEGORY FOOD | TILT ANGLE 29.58° |
| MAX. VERTICALITY TOLERANCE | MEASURING CONTAINER NO |
| FINISH SAP NUMBER 4961 | FINISH REF. CETIE GME 20-06 1995 |
| MINIMUM THROUGH BORE | MAX FILLING TUBE Ø |
| CONTAINER OVERFLOW CAPACITY (BRIMFUL) 370ml ± 10ml | |
| CONTAINER RATED CAPACITY (FILLPOINT) | |
| CONTAINER WEIGHT 185g APPROX. | |
| FINISH DESIGNATION EU_63_GME 20-06_H125_4961 | MAX GAS VOLUME |
| PROCESS PB | RETURNABLE NO |
| | DESIGN REF. Eu7505 / 0846 |
| STANDARD 37cl CSUPOR | |
| DESIGNER SO | DATE 27/03/13 |
| CHECKED SH | DATE 27/03/13 |
| DRAWING NUMBER 130328 | MOULD/SAP NUMBER 130328 |

1 = TRADEMARK
2 = CAVITY No.
3 = STIPPLING
THE SHAPE OF STIPPLES IS ONLY AN
INDICATION AND THE CONSTRUCTION IS AT
THE PRODUCTION PLANT DISCRETION.
4 = CAVITY CODE

SCALE 1:1