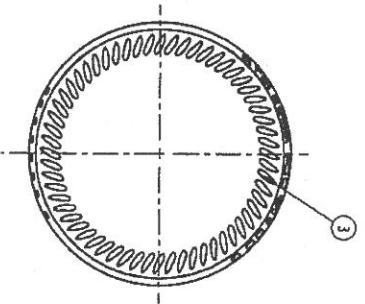
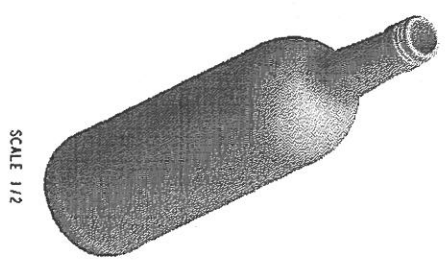
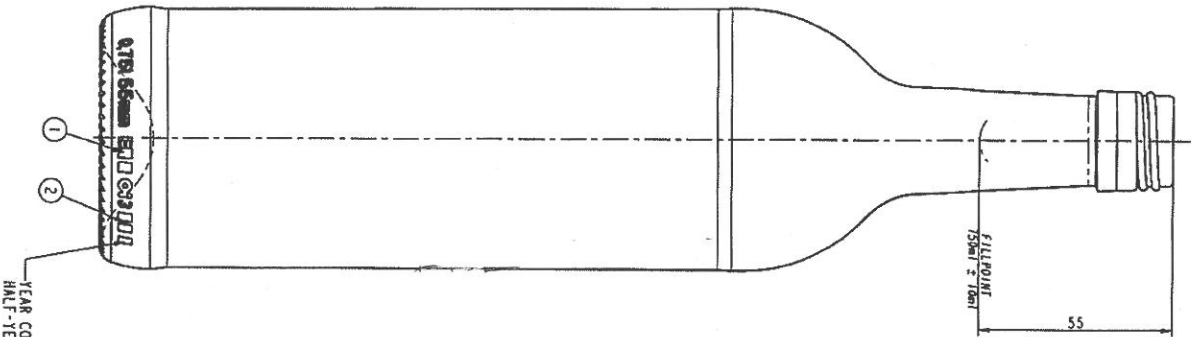
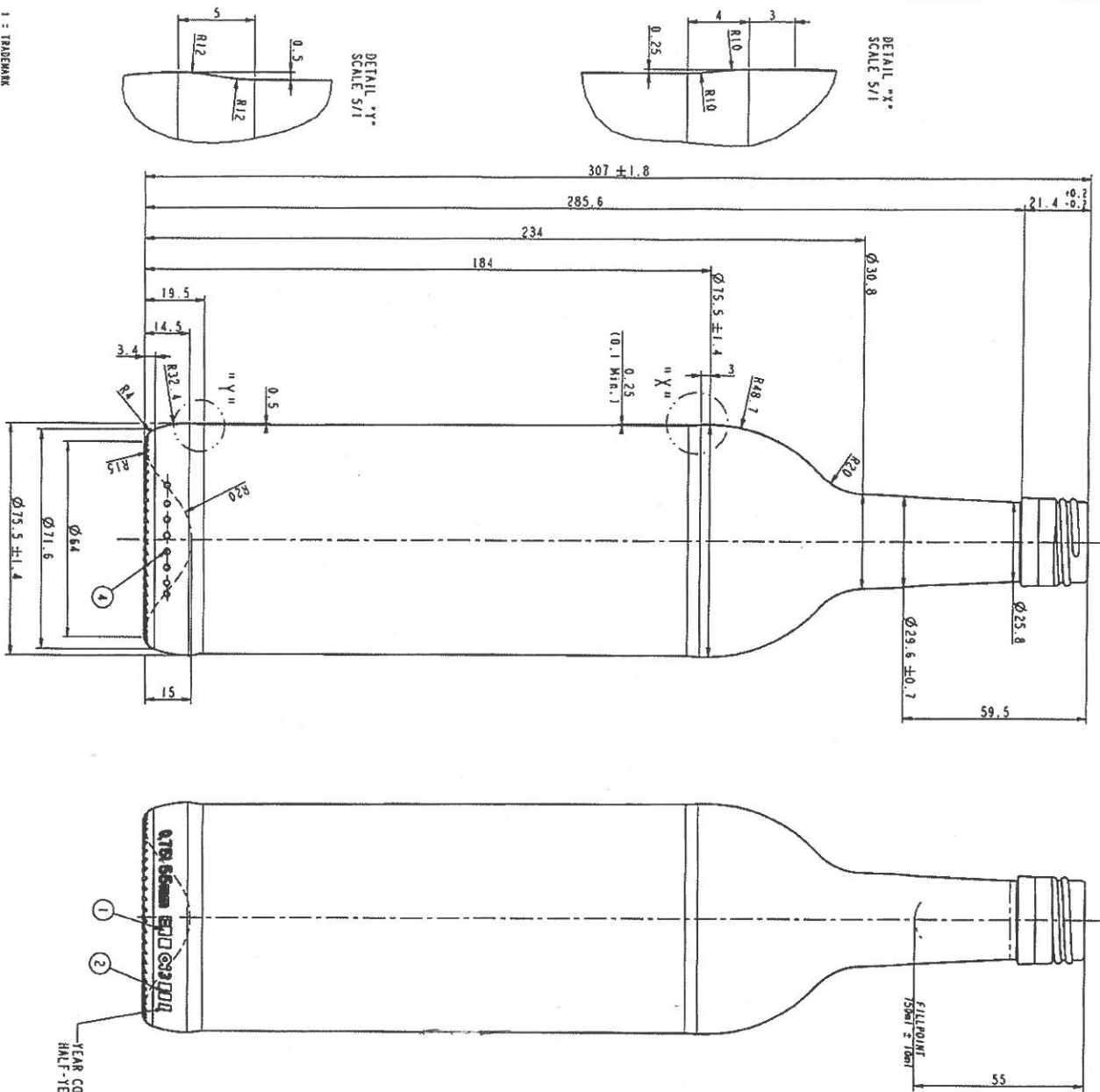


FINISH DESCRIPTION: Deep BVS finish for still wine

INSERT: No



Pure Performance  
**Packaging**  
SAFE • RECYCLABLE • SUSTAINABLE

O-I GLASSPACK GmbH & Co. KG

40227 Trossenfeld, Germany  
TEL: +49 0211 49252-0  
+49 0211 49252-10

CONTAINER & MOLD ENGINEERING  
**EUROPE**

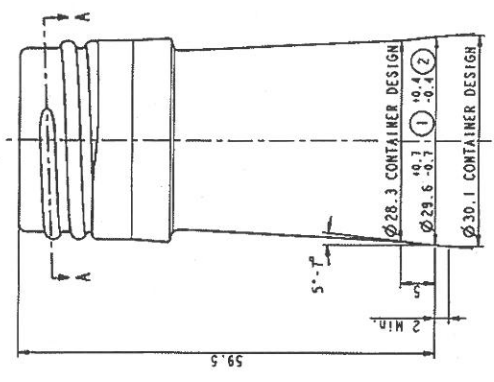
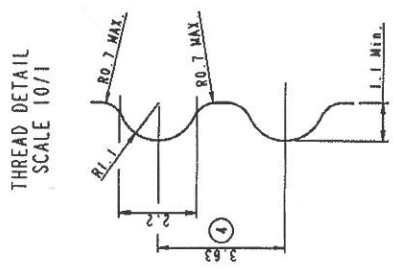
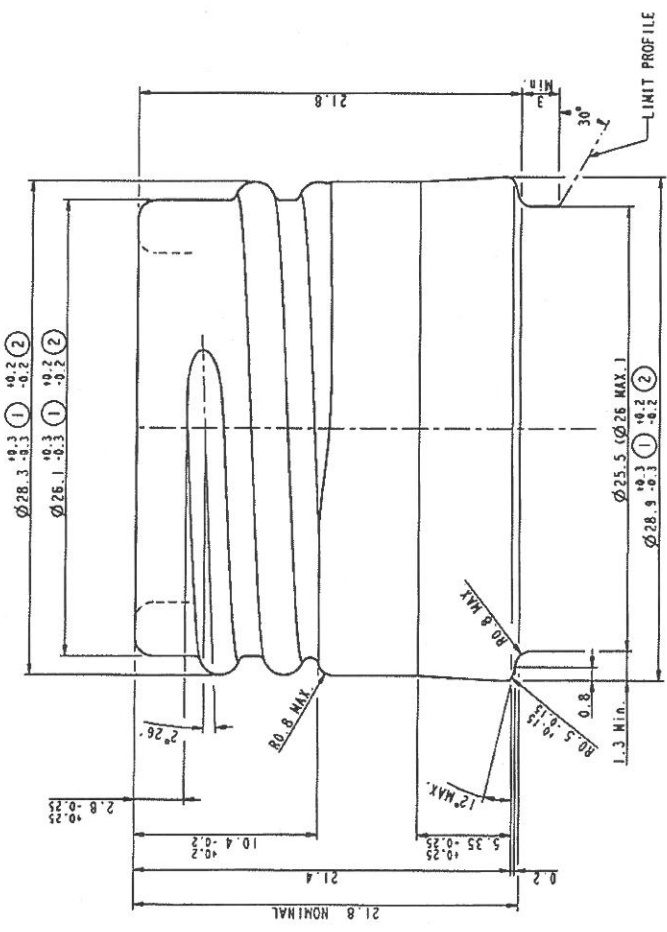
NOTES:  
THIS DRAWING IS THE PROPERTY OF O-I AND MUST NOT BE REPRODUCED OR DISCLOSED WITHOUT O-I WRITTEN AUTHORIZATION.  
ONLY DIMENSIONED DIMENSIONS ARE GUARANTEED.  
MANUFACTURING MARKINGS SHOWN ARE FOR ILLUSTRATIVE PURPOSES ONLY; ACTUAL MARKINGS ON CONTAINER MAY DIFFER, DEPENDANT ON LOCAL LEGISLATION.

CATEGORY	WINE	TLT / ANGLE	15.5 / 30°
MAX. VERTICALITY TOLERANCE	3.4 mm	REGULATING CONTAINER	YES
FINISH SAMP. NUMBER	4408	FINISH REF.	CETIC ONE 30.13.2007
MINIMUM THROUGH BORE	17.0 mm	MAX. FILLING TUBE Ø	15.5 mm
CONTAINER OVERFLOW CAPACITY (EMBARQU)	757ml	APPROX.	
CONTAINER RATED CAPACITY (FILLPOINT)	750ml ± 10ml		
CONTAINER WEIGHT	480g APPROX.		
FINISH DESIGNATION	OC. 30 ONE 30.13.2007	MAX. GAS VOLUME	
PROCESS	REINFORCE	DESIGN REF.	48-03604
DESIGN NO.			

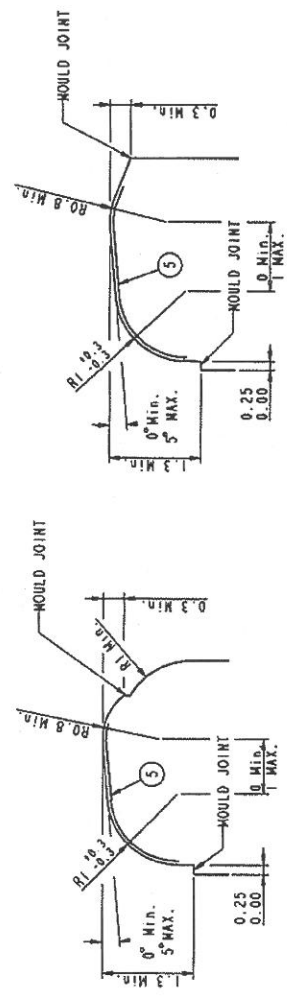
**0,75l Bordeauxflasche**

DESIGNER	M. Sander	DATE	29.01.2009
CHECKED		DATE	
DRAWING NUMBER	090023	MOULD/SMP NUMBER	018946
REVISIONS		DESIGN/CHECK	
NO.	DATE		

- 1 = TABLE MARK
  - 2 = CAVITY NO.
  - 3 = STIPPLING
  - 4 = CAVITY CODE
- SCALE 1:1

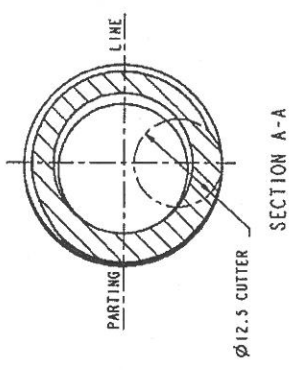


NECK CONSTRUCTION  
FOR BVS 30 H/60  
SCALE 2/1



ENTRANCE BORE DETAIL BB  
SCALE 20/1

ENTRANCE BORE DETAIL PB  
SCALE 20/1



SECTION A-A

- ① ABSOLUTE OVALITY LIMITS
- ② LIMITS FOR MEAN DIAMETERS  $\varnothing_{\text{MAX.}} \pm \varnothing_{\text{MIN.}}/2$
- ③ PITCH mm 3.63 - 7 THREAD/INCH
- ④ SEALING SURFACE

REV.	BY	DATE	DESCRIPTION
6			
5			
4			
3			
2			
1			

DE 30.GME 30.13.H28.4408 Dump BVS Mouth for all wine			EUROPE
COUNTRY FINISH CODE BVS 30 H 60		SCALE 5:1	
FIN. REF.: CETIE GME 30.13.2007 DATE: 20-01-2009		DRAWING NUMBER 4408	
DISPLACEMENT: DISPLACEMENT: DISPLACEMENT:		DRAWING NUMBER 1067	
APPR.: R. R.		FINISH SIZE NUMBER 4408	
CHK.:		SCALE 5:1	