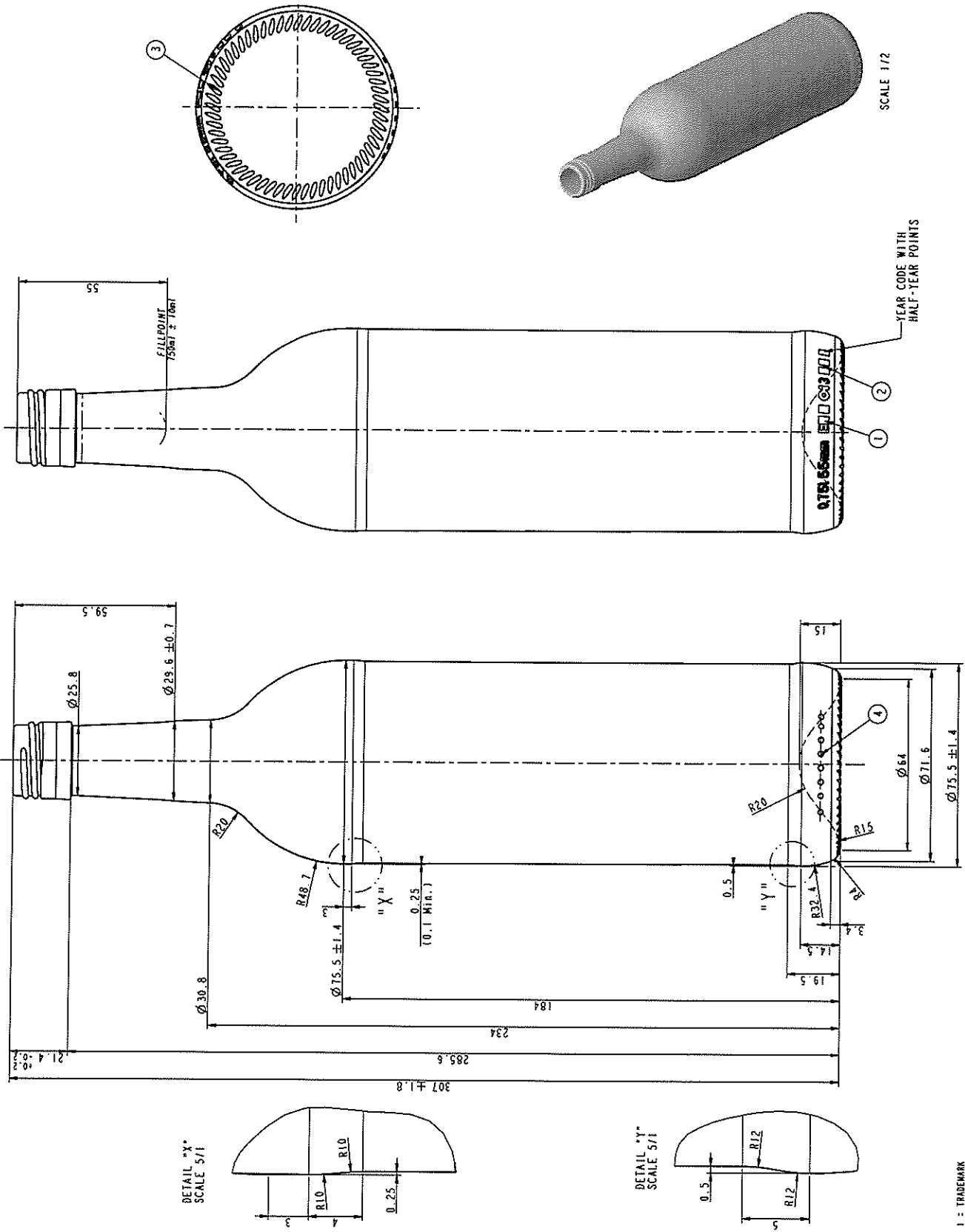


NOTES:
THIS DRAWING IS THE PROPERTY OF O-I AND MUST NOT BE REPRODUCED OR DISCLOSED WITHOUT O-I WRITTEN AUTHORIZATION.
ONLY TOLERANCED DIMENSIONS ARE GUARANTEED.
MANUFACTURING MARKINGS SHOWN ARE FOR ILLUSTRATIVE PURPOSES ONLY. ACTUAL MARKINGS ON CONTAINER MAY DIFFER. DEPENDANT ON LOCAL LEGISLATION.

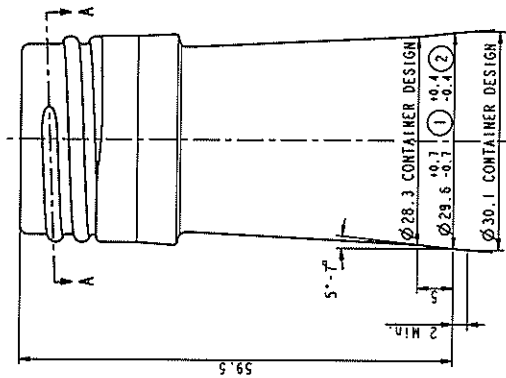
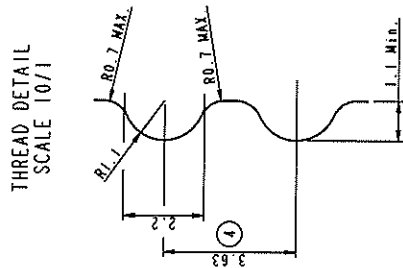
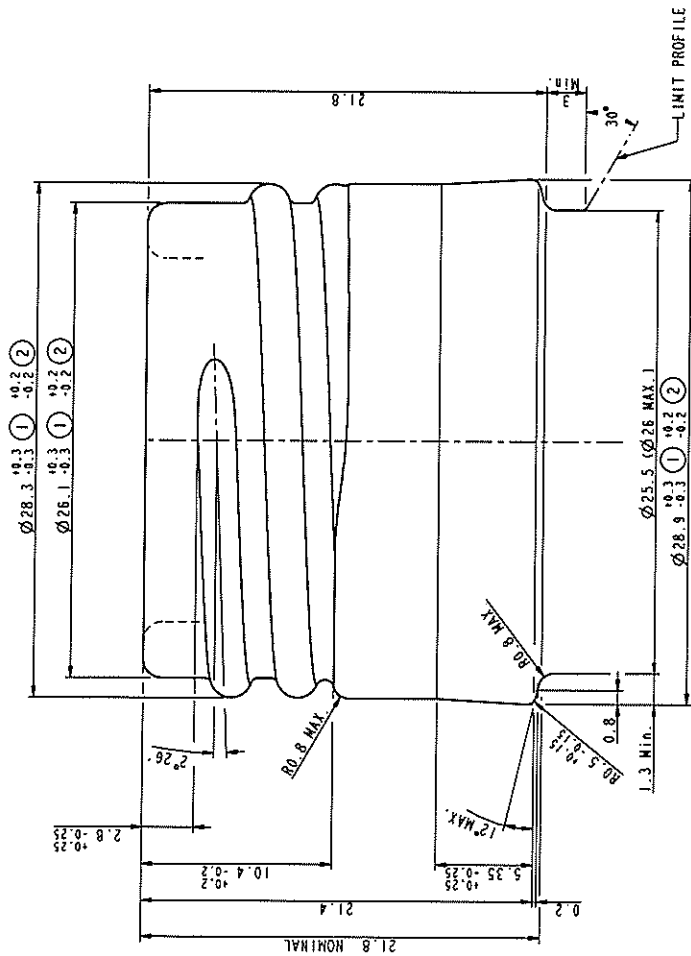


CATEGORY WINE	TLT ANGLE 15.78°
MAX. VERTICALITY TOLERANCE 3.4 mm	MEASURING CONTAINER YES
FINISH SAP NUMBER 4408	FINISH REF. CETIC ONE 30.13.2007
MINIMUM THROUGH HOPE 17.0 mm	MAX FILLING TUBE Ø 15.5 mm
CONTAINER OVERFLOW CAPACITY ERFÜLLT	767ml APPROX.
CONTAINER RATED CAPACITY (FILLPOINT)	750ml ± 10ml
CONTAINER WEIGHT 480g APPROX.	MAX GAS VOLUME 01.30 ONE 30.13.R210.4400
FINISH DESIGNATION 01.30 ONE 30.13.R210.4400	RETURNABLE NO
PROCESS (BIB) NO	DESIGN REF. 48-03604

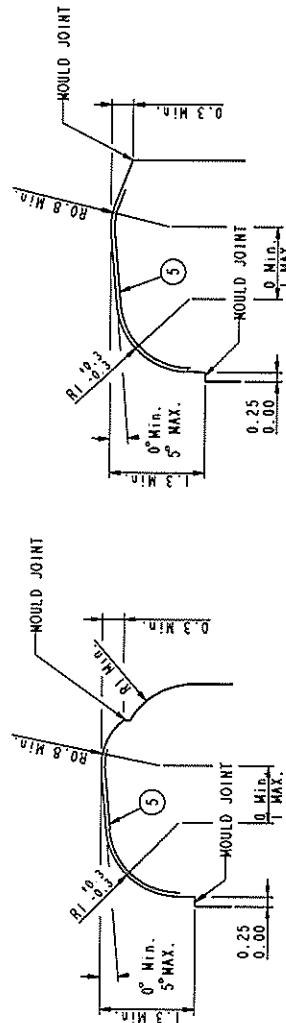
0,75l Bordeauxflasche

DESIGNER M. Sander	DATE 23.01.2009
CHECKED	DATE
DRAWING NUMBER 090023	MOULD/SAP NUMBER 09S946
No.	DATE
REVISIONS	
	DESIGN/CHECK

1 = TRADEMARK
2 = CAVITY No.
3 = STIPPLING
4 = CAVITY CODE
SCALE 1:1

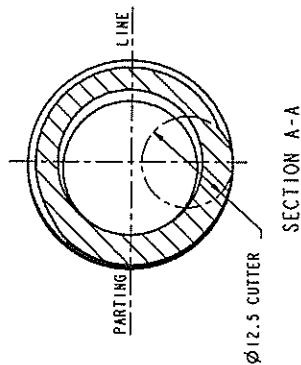


NECK CONSTRUCTION
FOR BVS 30 H/60
SCALE 2/1



ENTRANCE BORE DETAIL BB
SCALE 20/1

ENTRANCE BORE DETAIL PB
SCALE 20/1



SECTION A-A

- ① ABSOLUTE OVALITY LIMITS
- ② LIMITS FOR MEAN DIAMETERS $\phi_{Max.} \pm \phi_{Min.}/2$
- ③ PITCH mm 3.63 - 7 THREAD/INCH
- ④ SEALING SURFACE

6																			
5																			
4																			
3																			
2																			
REV.	BY	DATE	CHK	CRK	DATE	DRW	CHK	DATE	DRW	CHK	DATE	DRW	CHK	DATE	DRW	CHK	DATE	DRW	CHK
<p>COUNTRY FINISH CODE BVS 30 H 60</p> <p>NOTES: 1. THIS DRAWING IS THE PROPERTY OF G.E. AND MUST NOT BE REPRODUCED OR USED WITHOUT G.E. WRITTEN AUTHORIZATION. 2. ONLY DIMENSIONS DIMENSIONS ARE GUARANTEED.</p>										<p>DE. 30 GME 3013 H218.4408 Deep BVS Seal for still wine</p> <p>FIN. REF.: CETIC GME 30.13.2087 DESIGN: RO DISPLACEMENT: REV.: R. B. CMC.: DATE: 29-01-2009 APP.: SCALE: FINISH S&P NUMBER: 5:1 4408 DRAWING NUMBER: 1067</p>									



EUROPE