



## 75CL SP ELEGANCE TC

approx weight gr. 750

### END USE

### “SPUMANTI” WINES

*Any use other than indicated must be agreed upon our Customer Service*

### CONFORMITY

The mentioned container complies with:

**Italian D.M. of 21/03/73** (which maintains its full validity after EC Regulation no. 1935/2004 of 27/10/04 came into force): the glass container (sodium-calcium) belongs to category A and is suitable to be utilised in contact with foods.

**Italian D.L. no. 22 of 05/02/97**

The glass chemical compositions complies with the Directive 94/62/EC and subsequent updates of 19/02/01 (ref. 2001/171/EC – article 5) and of 08/05/06 (ref. 2006/340/EC – article 6).

**Italian D.L. 451 of 03/07/76**

The container complies with the regulations referring to “measuring containers” in compliance with Directive EEC 75/107 of 19/12/74.

**EEC 1935/2004**

The container traceability is guaranteed by the pallet label data.

### OPERATING CONDITIONS

Max. thermal shock allowed (Standard ASTM C 149-86)	<b>42° C</b>	Hot surface treatment (Standard CETIE DT 13)	<b>YES</b>
Max axial load (Standard UNI 9035)	<b>400 kg</b>	Cold surface treatment (Standard CETIE DT 13)	<b>YES</b>
Maximum internal pressure that must not be exceeded during pasteurisation cycle	<b>10,0 bar</b>	For auto adhesive labels applications a previous contact with our Customer Service is advisable	
Maximum constant internal pressure Allowed	<b>6,0 bar</b>	Casein glue is recommended for labelling	

- Internal pressure resistance values are guaranteed only if a proper bottling cycle is observed that respects the parameters indicated above and at an exact filling level.
- For pasteurised or otherwise conditioned sparkling wines, it is suitable to check with our technicians for possible implications deriving from the thermal cycle imposed to the container. In any case it is imperative that the wine temperature does not exceed 30-35° C at the exit from the pasteurizer.

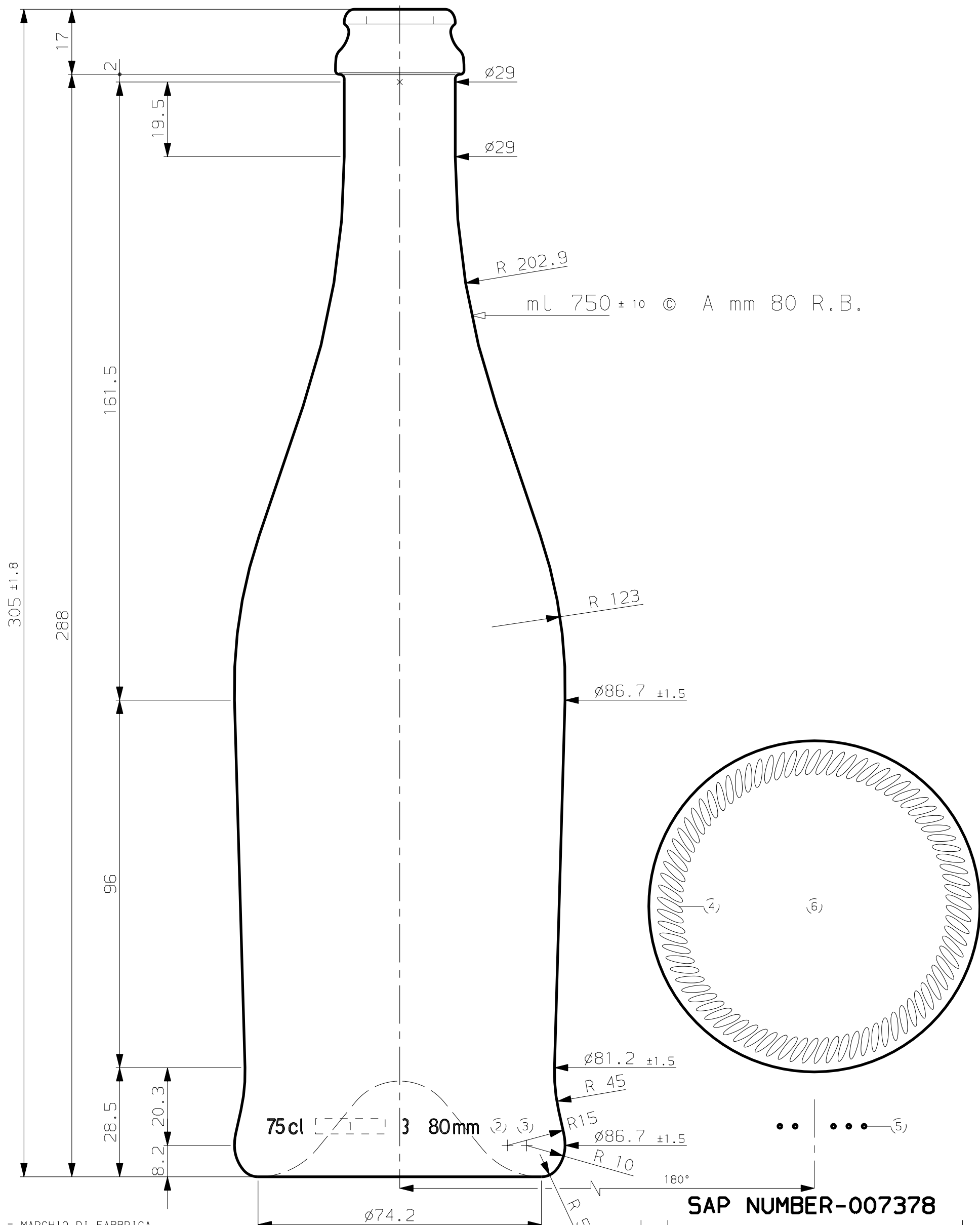
### GEOMETRIC CHARACTERISTICS AND TOLERANCES

<b>Capacity:</b> 750 ml $\pm$ 10 at 80 mm from brimful		(Standard ISO/TC63 1984)
<b>Perpendicularity deviation</b>	mm: 3,4	(on the axis, Standard CETIE DT 2)
<b>Body ovalisation</b>	mm: 3,0	(difference between the max. and min. diameter, Standard CETIE DT 2)
<b>Finish bore diameter</b>	mm: 17,8 +0,2; -0,3	(measured at 3 mm from brimful)
<b>Minimum through-bore diameter</b>	mm: 16,5	
<b>Max. diam. of filling tube that can be used</b>	mm: 15,0	

### NOTES

- Washing is always recommended before use.
- Lots/Batches of this container, used in observance of the prescriptions laid down by this Technical Sheet, shall have very reasonable mean line breakage values.
- Since usage results may be influenced by utilisation conditions, normal mean breakage values may be agreed with our Customer Service after a joint analysis of the filling line. In any case, the guarantees mentioned in this Document are valid only for first utilisation.
- If the utilisation results should deviate significantly from the mean values normally found, you are advised to change production Batch/Lot, informing our Customer Service Technicians who will contact you immediately in order to arrange all the necessary checks to be done jointly and to agree possible solutions if non conformities would be found.

MINIMO FORO PASSANTE = 16.5 mm  
THROUGH BORE MINIMUM



mL 750 ± 10 © A mm 80 R.B.

75cl 1 3 80mm (2) (3)

SAP NUMBER-007378

- 1 = MARCHIO DI FABBRICA TRADEMARK
- 2 = CONTRASSEGNO "A" TIPO VETRO "A" GLASS IDENTIFICATION
- 3 = N. CAVITA' CAVITY No.
- 4 = ZIGRINATURA STIPPLING
- 5 = CODICE LETTORE CAVITA' DOT CODE

- 6 = GHIACCIATURA A DISCREZIONE DELLA VETRERIA KNURLING AT PLANT DISCRETION
- © = CONTROLLO STATISTICO STATISTICAL CONTROL
- TOLLERANZA FUORI VERTICALITA' MAX SU 360° = 6.7 MAX. VERTICALITY TOLERANCE ON 360°
- ANGOLO DI CADUTA = 15.03° TIP ANGLE

REV.	DESCRIZIONE DESCRIPTION	DATA DATE
02	Spostate scritte metrologiche a fondo corpo, Eliminata scritta MOD.DEP.	01.02.08
	Nuova veste grafica	09.01.08
A	Sostituita l'imb. 2565 con 2563 e la commissione	11.10.02
	Aggiunta la scritta MOD.DEP. ALLO STUDIO 1	12.05.00



COMMISSIONE CUSTOMER	<b>STANDARD</b>
ARTICOLO JOB	<b>SPUMANTE ELEGANCE 750 mL R.M.</b>
IMBOCCATURA FINISH	Fascetta corona 29

PESO CIRCA APPROX WEIGHT	gr 750
--------------------------	--------

CAPACITA' R.B. CIRCA APPROX BRIMFUL CAPACITY	mL 780
--	--------

N. ARTICOLO JOB No.	<b>8228-02</b>
COD. IMB. FINISH No.	2563

L'AVIR declina qualsiasi responsabilita' per violazioni di diritti di terze persone sulla forma delle bottiglie fabbricate su commissione della spettabile clientela. L'accertamento della liceita' di tale forma e' a carico del CLIENTE. Senza nostra precisa autorizzazione e' vietato il passaggio o la cessione del presente disegno.

Le quote sono espresse in mm, solo quelle con indicazione di tolleranza di tolleranza sono impegnative. ALL dimensions are in millimetres (mm), only those dimensions with tolerances are binding.