

Pure Performance
Packaging
 SAFE • RECYCLABLE • SUSTAINABLE

O-I Manufacturing Italy S.p.A.

Via Washington, 70
 20146 Milano, Italy
 Tel. +39 0243453.1

CONTAINER & MOLD ENGINEERING

EUROPE

NOTES:
 THIS DRAWING IS THE PROPERTY OF O-I AND
 MUST NOT BE REPRODUCED OR DISCLOSED
 WITHOUT O-I WRITTEN AUTHORIZATION.

ONLY TOLERANCED DIMENSIONS ARE GUARANTEED.

MANUFACTURING MARKINGS SHOWN ARE FOR ILLUSTRATIVE
 PURPOSES ONLY. ACTUAL MARKINGS ON CONTAINER
 MAY DIFFER, DEPENDANT ON LOCAL LEGISLATION.

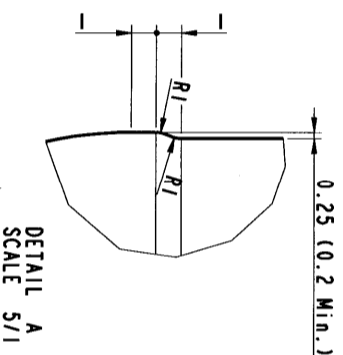
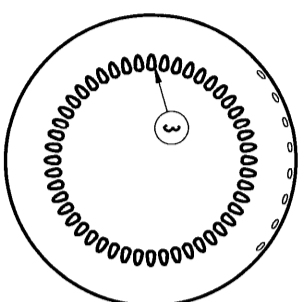
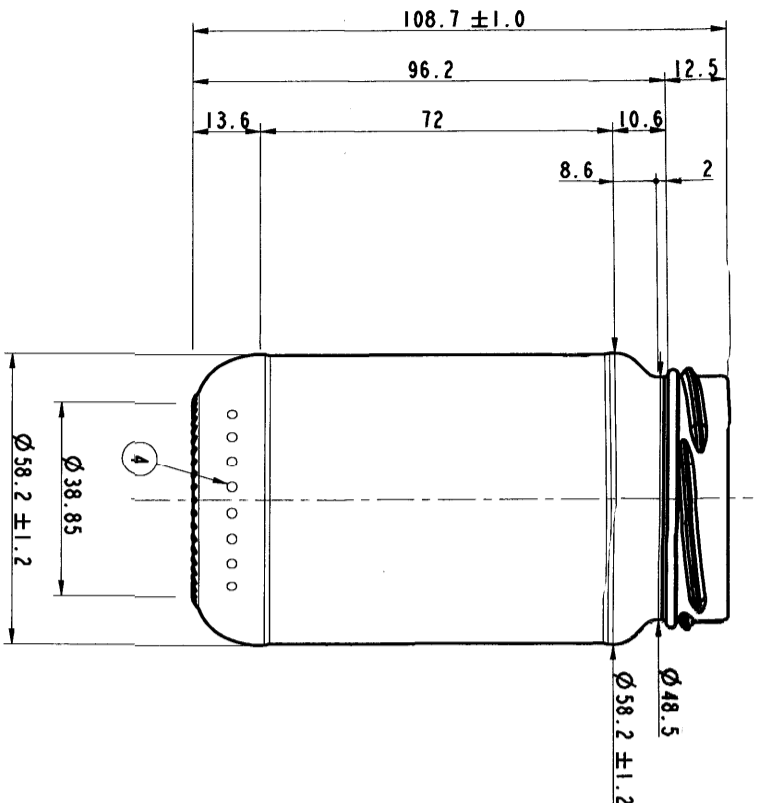
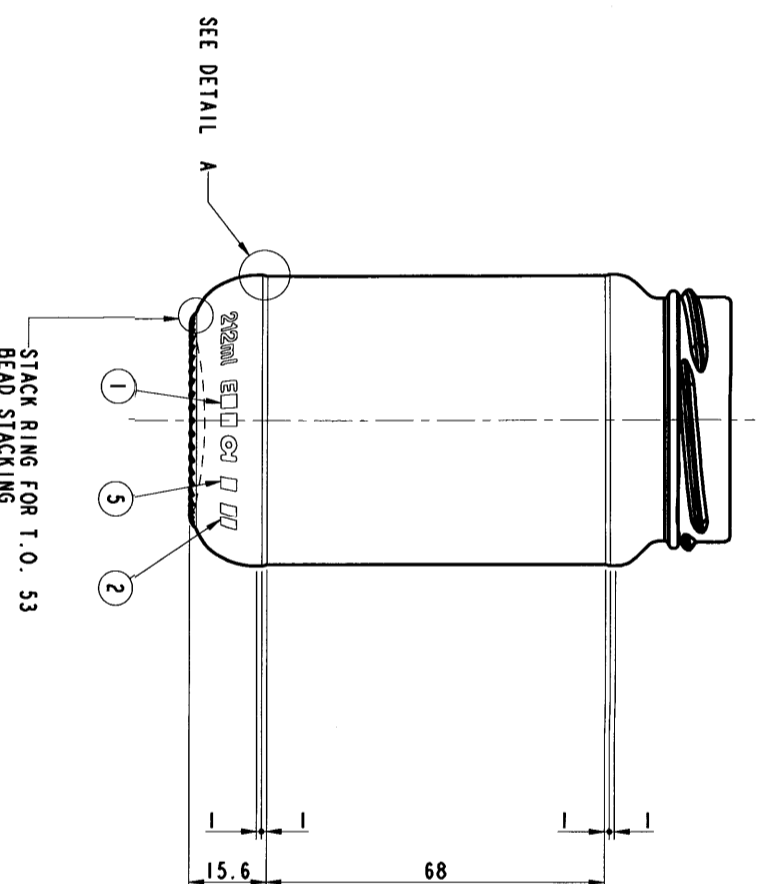
Termék szám:

Job number: **1008/A**

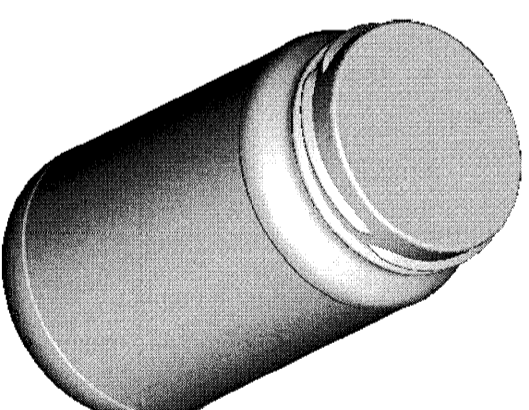
Dátum/Date: 2010-11-25

Lejzla Tóvári

STACK RING FOR T.O. 53
 BEAD STACKING



DETAIL A
 SCALE 5/1



CATEGORY	FOOD	TLT ANGLE	20.85°
MAX VERTICALITY TOLERANCE	2.54 mm	MEASURING CONTAINER	NO
FINISH SAP NUMBER	4955	FINISH REF.	CETIE GME 20-04 1995
MINIMUM THROUGH BORE	43.4 mm	MAX FILLING TUBE Ø	41.9 mm
CONTAINER OVERFLOW CAPACITY (SERIAL)	212ml ± 6ml		
CONTAINER RATED CAPACITY FILLPOINT			
CONTAINER WEIGHT	127g APPROX.		
FINISH DESIGNATION	EU.53.GME 20-04.H125.4955	MAX GAS VOLUME	
PROCESS	RETURNABLE NO	DESIGN REF.	

STANDARD
21.2 cl VASO COLONNA

DESIGNER	CD	DATE	21.06.10
CHECKED		DATE	
DRAWING NUMBER	100512	MOLD/SAP NUMBER	000000

TENTATIVE

No	DATE	REVISIONS	DESIGN/CHECK

- 1 = TRADEMARK
- 2 = CAVITY No.
- 3 = STIPPLING
- THE SHAPE OF STIPPLES IS ONLY AN INDICATION AND THE CONSTRUCTION IS AT THE PRODUCTION PLANT DISCRETION.
- 4 = CAVITY CODE
- 5 = A GLASS IDENTIFICATION
- 6 = KNURLING AT PLANT DISCRETION

SCALE 1:1